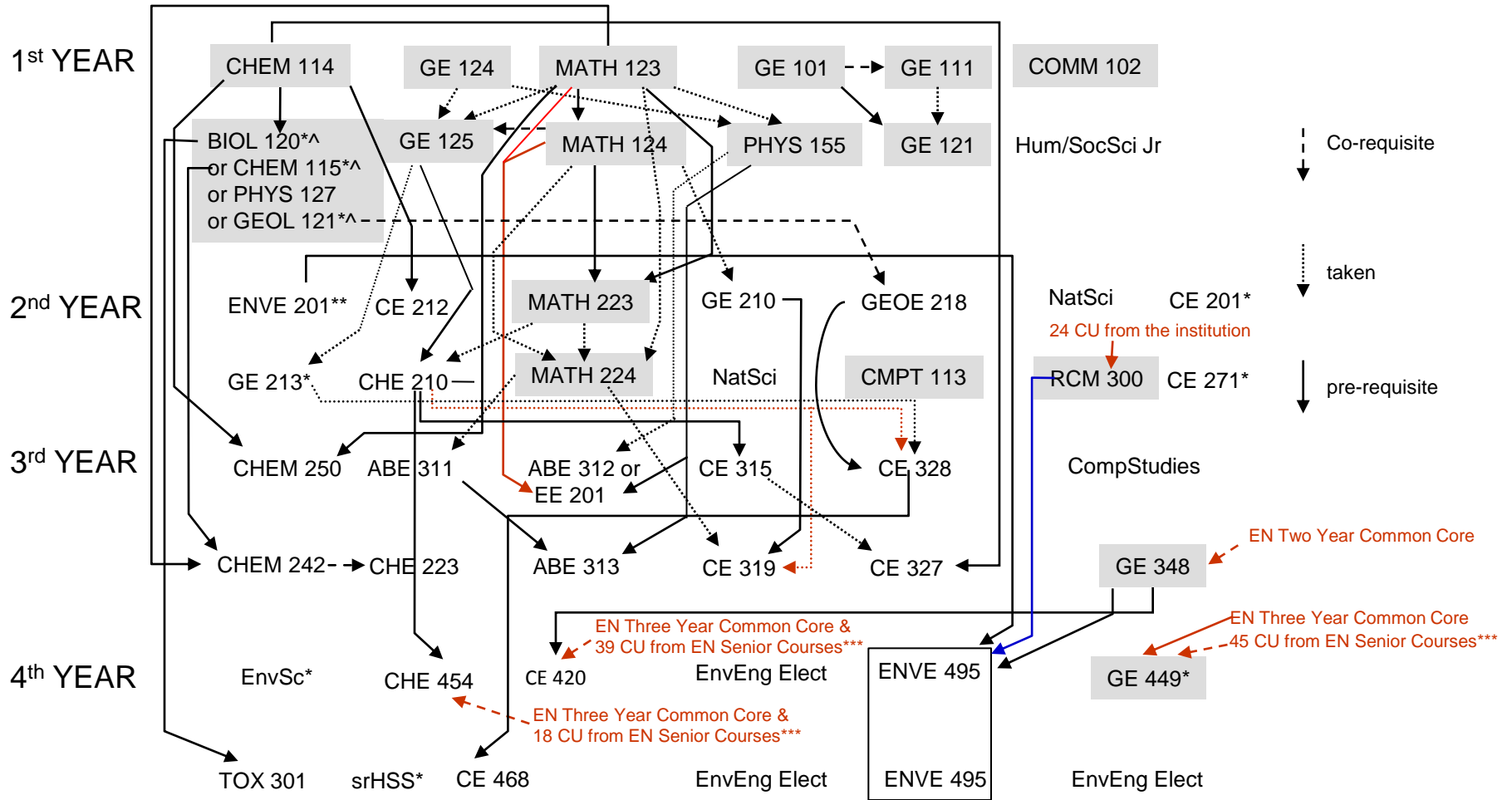


# Environmental Engineering (For students entering the College 2010-11)

*It is the student's responsibility to ensure that their program and necessary prerequisites are correct*



\* May be completed in Year 2 or Year 3

\*\* Required: (Yr1 common core, (BIOL120 and CHEM 115) or (BIOL120 and GEOL 121) or (CHEM 115 and GEOL 121)) or EN two year common core)

<sup>^</sup> must take BIOL 120, CHEM 115, GEOL 121 as science electives in Year 1 or Year 2

Environmental Science Elective, 3 cu from: ABE 212, BIOC 212, CHEM 221, EVSC 420, FAMS 212, GEOL 413

Environmental Engineering Electives, 9 cu from: ABE 432, ABE 481, CHE 461, CE 414, GEOE 475 or approved Engineering elective

\*\*\*EN Senior Courses:

ABE200-499 & CE200-499 & CHE200-499 & CME200-499 & EE200-499 & EP200-499 & ENVE200-499 & GEOE200-499 & ME200-499 & CHEM200-499 & GEOL200-499 & PHYS200-499

Last edited January 11 2010

Check online calendar for any course changes

Consult with program advisor for program changes